



# Custom Order File Requirements for Yard Signs

## Checklist

### General Requirements

- PDF has only **ONE** page
- File **MUST** be under 25MB
- PDF has only **ONE** die cut path, see the die cut specs listed below
- All fonts **MUST** be converted to outlines/embedded
- ALL** images & graphics follow the specs listed below
- Accepted File Formats:** .AI (Adobe Illustrator), .EPS, .PDF, .SVG
- Artwork **MUST** be submitted in correct orientation

### Image Requirements

- ALL** images are embedded
- Image resolution is **at least 150dpi** (300dpi is preferred)

### Graphic Requirements

- ALL** strokes are expanded to outlines (Except the die cut)
- ALL** graphics are 100% opacity
- Gradients are expanded to vector outlines

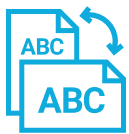
### Die-cut Requirements

- Die-cut corners will be rounded to 0.25" by our team

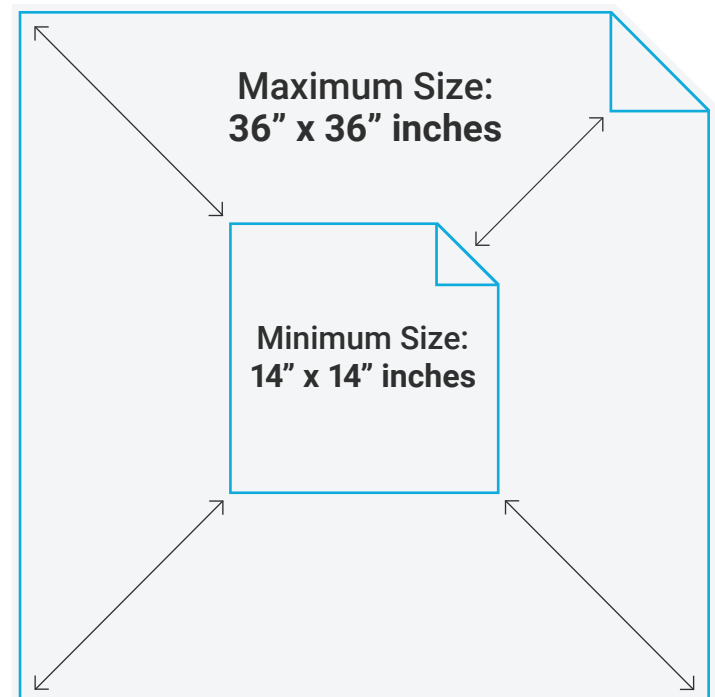
## Yard Signs Requirements

**Minimum Size: 14" x 14", Maximum Size 36" x 36"**

The design must adhere to all the general guidelines listed above. All corners in the design will be rounded to 0.25". Simple shapes are accepted and squares/rectangles can have 90 degree corners.



**All artwork must be submitted in correct orientation.**



Minimum Size: 14" x 14", Maximum Size 36" x 36"



**All customer submitted die-lines are subject to change to adhere to the production limitations and requirements.**

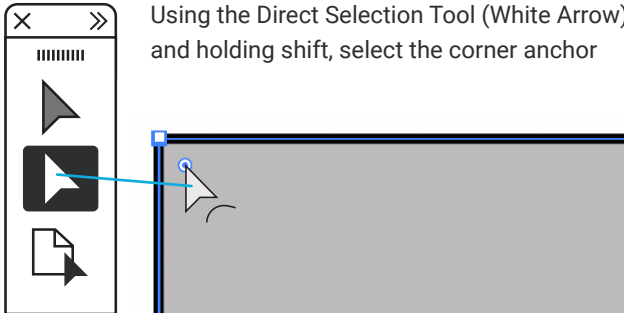


# How to Round Corners for Yard Sign Die-line (For Advanced Designers)

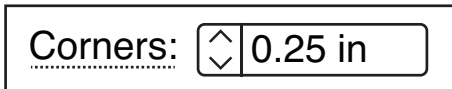
## How to Round Corners for Yard Signs

All corners for Yard Sign die-cut must be rounded with a minimum radius of 0.25in

1. Using the Direct Selection Tool (White Arrow) and holding shift, select the corner anchor



2. With the corner anchor point(s) selected you should see the "Corners" window appear along the top of the workspace



3. Set all the die cut corners to a minimum of 0.25in. Be sure to double-check that the corners were fully rounded to size



## Troubleshooting

**The corner will not round to the full 0.25in If there are other anchor points too close to the corners.**

You may not be able to fully round to 0.25in. Use the pen tool to remove the adjacent anchor points and repeat the previous steps to round the corners fully to 0.25in

**The circular "Corners" icon does not appear next to the anchor point.**

Make sure it is a single anchor point in the corner. If there are two anchor points sitting very close to each other, you will not be able to use the rounding corners tool.

Use the "Delete Anchor Point" Tool to remove the anchor point to see if there is another one underneath

**Ensure it is a "True" corner.**

If the corner is already slightly rounded, you will not be able to use the rounding corners tool. With an anchor point selected, use the direct selection tool to adjust the handles

### Related Articles

How to make a spot color

Bleed, padding and safe zone requirements

[\(See Custom Order File Requirements PDF\)](#)



**All customer submitted die-lines are subject to change to adhere to the production limitations and requirements.**